

268
HANDHELD CASES

292
UNIVERSAL
ENCLOSURES

318
HEAVY DUTY
AND ELECTRICAL
ENCLOSURES

342
DESKTOP AND
INSTRUMENT
CASES

348
DEVELOPMENT
BOARD
ENCLOSURES

367
ROOM SENSOR
ENCLOSURES

370
CUSTOM SIZED
ENCLOSURES

7510 series Snap together enclosures

No design charges - No tooling

Simply provide your internal dimensions for a free quotation

Product overview

Snap together enclosures that can be manufactured in **custom** sizes to fit your PCB assembly and components.

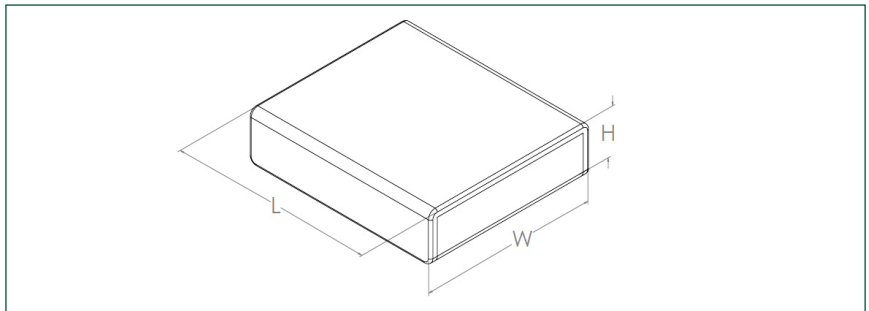


Features

- 2-U-shape snap together construction
- Manufactured to your custom specifications
- Various material colour and specification options
- Manufactured to order on short lead-times
- UV stabilised white, greys and black plastics

Options

- Manufactured in either HIPS UL94-HB, ABS acrylic capped or listed ABS UL94-V0
- CNC milling (holes, cut-outs, vents, pockets, pillars, windows)
- Screen printing/membranes/overlays



PART NO.	LENGTH (INT)	WIDTH (INT)	HEIGHT (INT)	LENGTH (EXT)	WIDTH (EXT)	HEIGHT (EXT)
7511	75mm	65mm	15mm	81mm	71mm	21mm
7512	100mm	75mm	18mm	106mm	61mm	24mm
7513	100mm	50mm	15mm	106mm	56mm	21mm
7514	120mm	80mm	20mm	126mm	86mm	26mm
7515	250mm	120mm	50mm	256mm	126mm	56mm
7516	103mm	75mm	35mm	109mm	81mm	41mm
7517	113mm	60mm	30mm	119mm	66mm	36mm
7518	113mm	113mm	83mm	119mm	119mm	89mm
7519	144mm	75mm	40mm	150mm	81mm	46mm
Custom size	Please advise dimensions					

Available in a range of colours:



KEY FEATURES

U-shell design | HB as standard V0 optional | Manufactured to order

